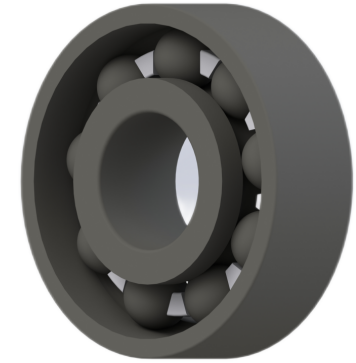


LILY BEARING



b:	40°		Contact Angle
R _{3,4} :	min	mm	Chamfer Dimension
R _{1,2} :	min 5	mm	Chamfer Dimension
D1:	866.5	mm	Shoulder Dia Of Outer Ring
d1:	807.3	mm	Shoulder Dia Of inner Ring
a:	234	mm	Distance From Side Face To Pressure Point

LILY[®]

SHANGHAI LILY BEARING LIMITED

Email: lilybearing@lily-bearing.com

Part
Number

CE718 750SC
Ceramic Angular Contact Ball Bearings