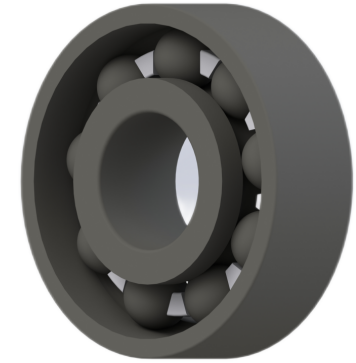


LILY BEARING



b:	25°		Contact Angle
R _{3,4} :	min	mm	Chamfer Dimension
R _{1,2} :	min 4	mm	Chamfer Dimension
D1:	261.25	mm	Shoulder Dia Of Outer Ring
d1:	227.4	mm	Shoulder Dia Of inner Ring
a:	127	mm	Distance From Side Face To Pressure Point

LILY[®]

SHANGHAI LILY BEARING LIMITED

Email: lilybearing@lily-bearing.com

Part
Number

CE7234SC
Ceramic Angular Contact Ball Bearings