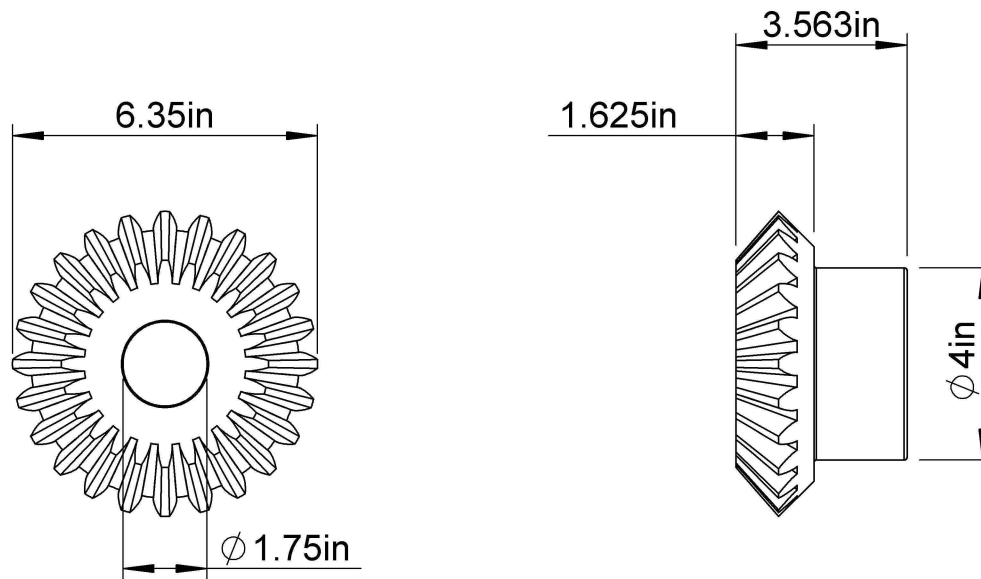


Pressure Angle: 20°

Pitch: 4

Teeth: 24

Diameter Pitch: 6



LILY[®]

SHANGHAI LILY BEARING LIMITED
Email: lilybearing@lily-bearing.com

Part
Number

HM424A GEAR MITER
Gears