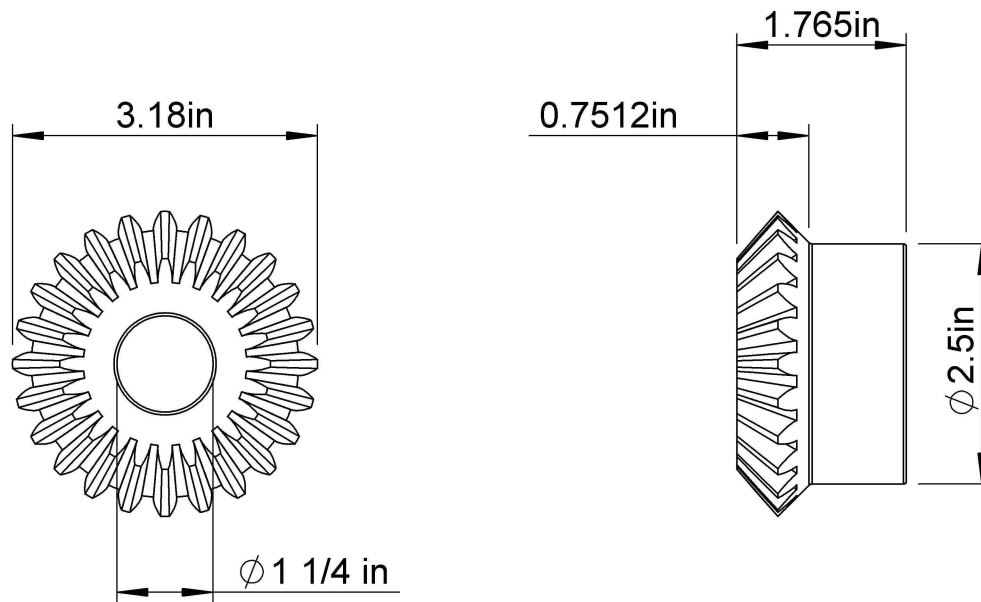
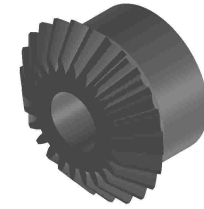


Pressure Angle: 20°

Pitch: 8

Teeth: 24

Diameter Pitch: 3



LILY[®]

SHANGHAI LILY BEARING LIMITED
Email: lilybearing@lily-bearing.com

Part
Number

HM824B GEAR MITER
Gears