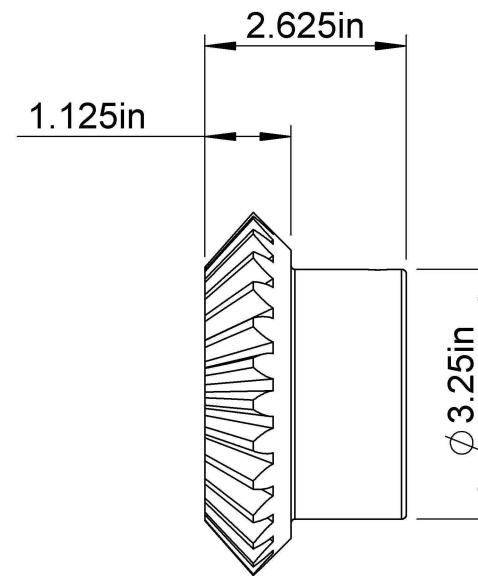
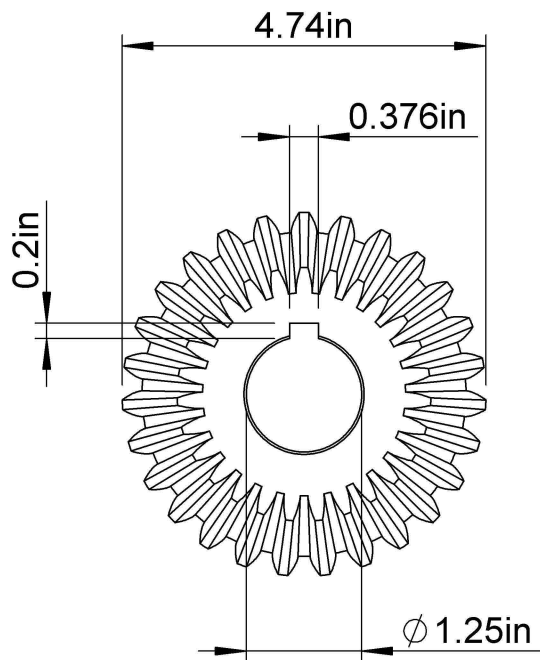
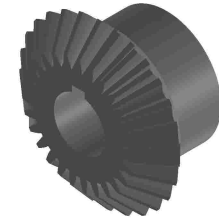


Pressure Angle: 20°

Pitch: 6

Teeth: 27

Diameter Pitch: 4.5



LILY[®]

SHANGHAI LILY BEARING LIMITED
Email: lilybearing@lily-bearing.com

Part
Number

HMK627 GEAR MITER
Gears