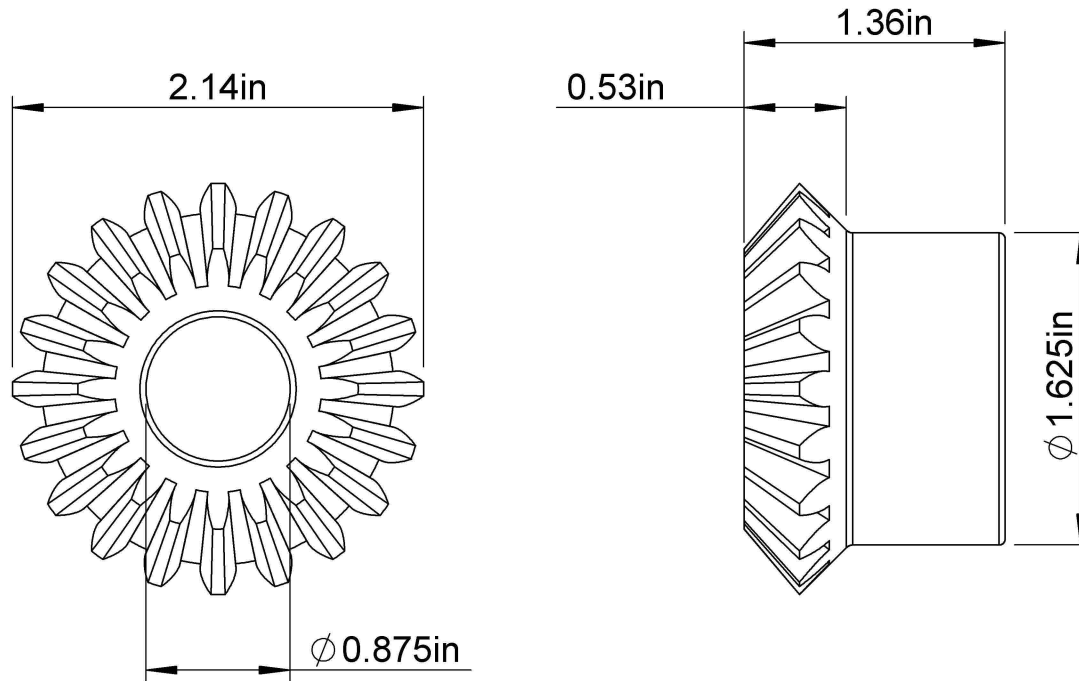
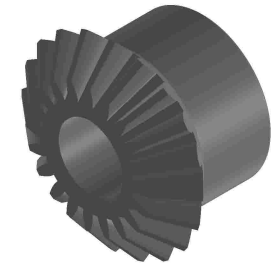


Pressure Angle: 20°  
Pitch: 10  
Teeth: 20  
Diameter Pitch: 2



**LILY<sup>®</sup>**

SHANGHAI LILY BEARING LIMITED  
Email: [lilybearing@lily-bearing.com](mailto:lilybearing@lily-bearing.com)

Part  
Number

M1020C GEAR MITER  
Gears