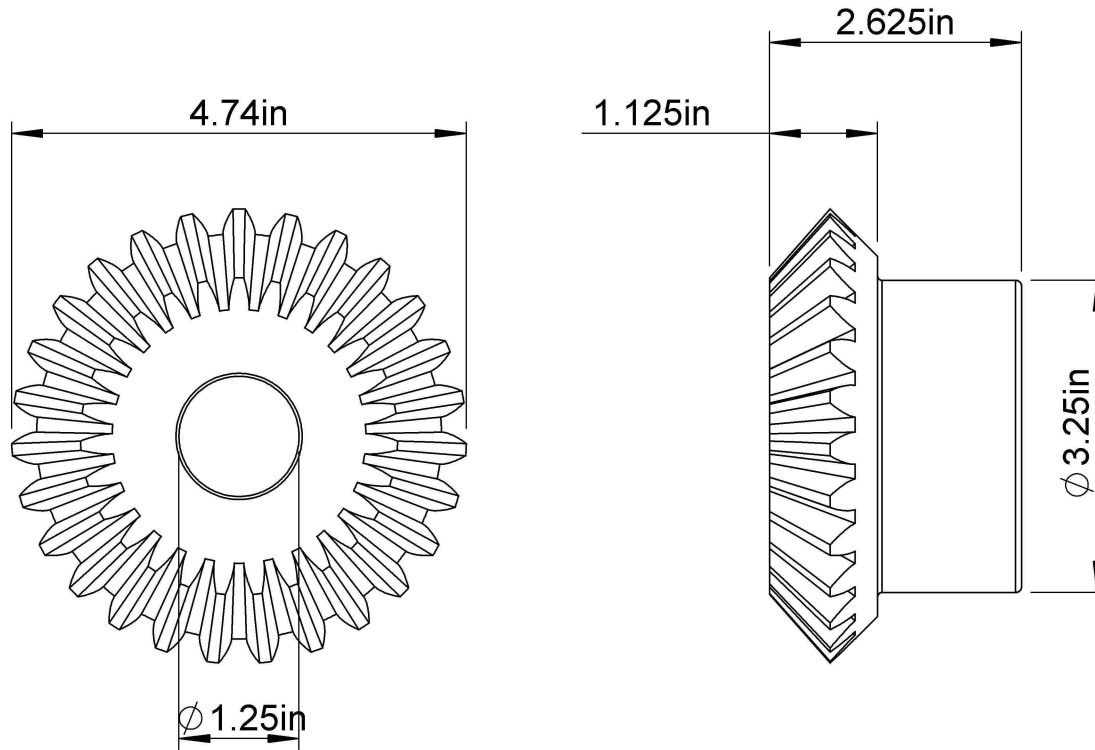
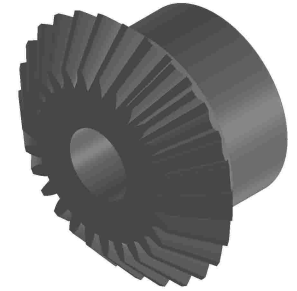


Pressure Angle: 20°
Pitch: 6
Teeth: 27
Diameter Pitch: 4.5



LILY[®]

SHANGHAI LILY BEARING LIMITED
Email: lilybearing@lily-bearing.com

Part
Number

M627 GEAR MITER
Gears