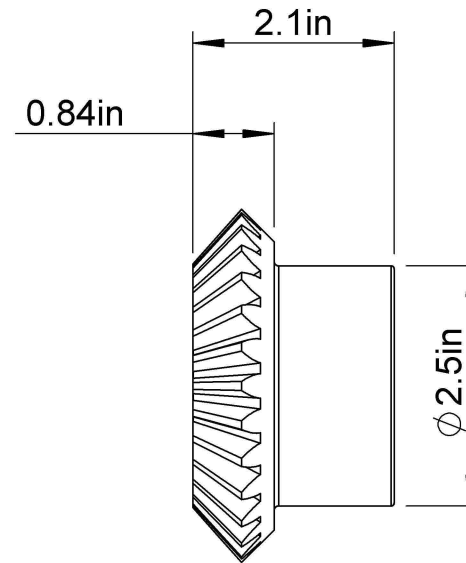
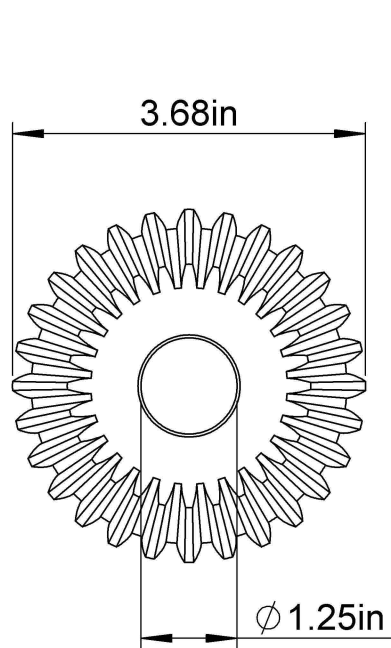
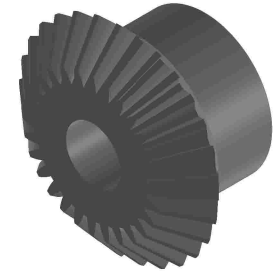


Pressure Angle: 20°
Pitch: 8
Teeth: 28
Diameter Pitch: 3.5



LILY[®]

SHANGHAI LILY BEARING LIMITED
Email: lilybearing@lily-bearing.com

Part
Number

M828B GEAR MITER
Gears