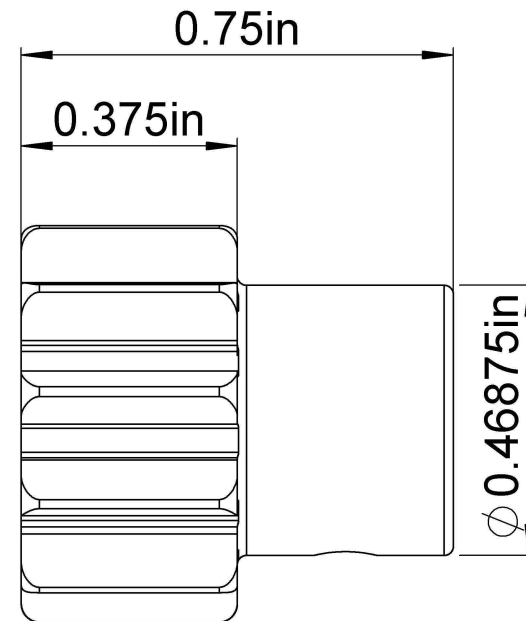
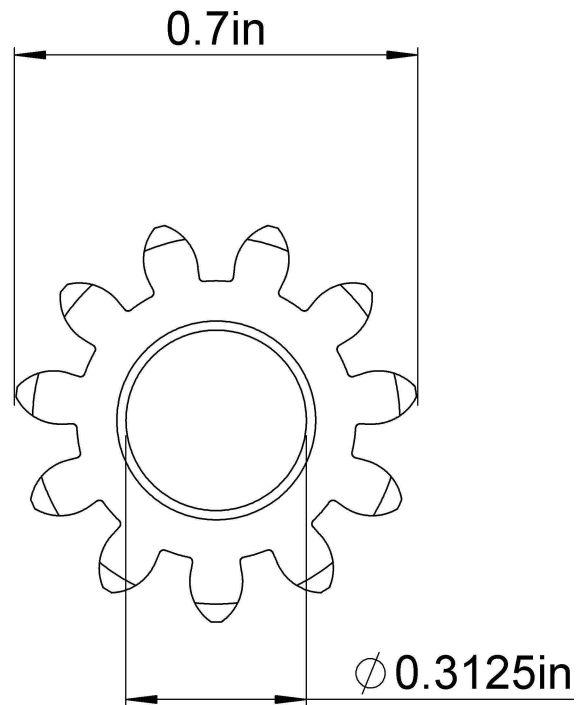
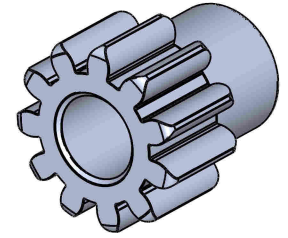


Pressure Angle: 14.5°

Teeth:11

Diameter Pitch: 0.6



LILY[®]

SHANGHAI LILY BEARING LIMITED
Email: lilybearing@lily-bearing.com

Part
Number

S2011BS 5/16 14 1/2 DEG STEEL
Gears