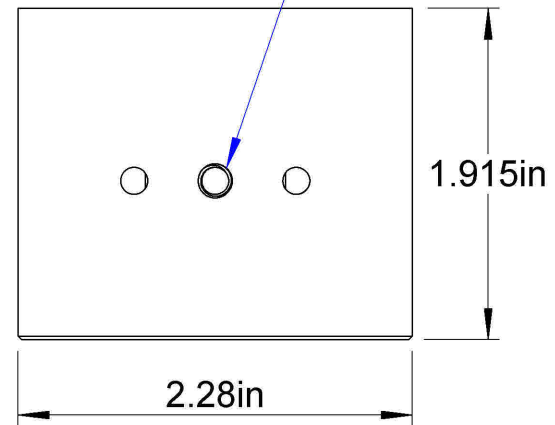
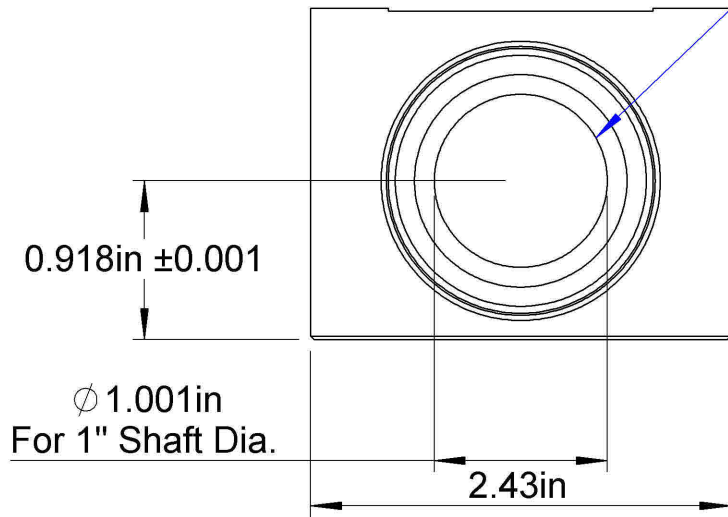
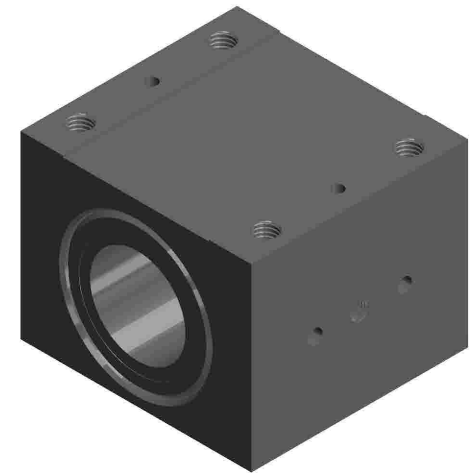


M6x1mm  
Thread

0.0006"-0.0009"  
Shaft Clearance

M5x0.8mm  
Thread



<b>LILY<sup>®</sup></b>		SHANGHAI LILY BEARING LIMITED Email: <a href="mailto:lilybearing@lily-bearing.com">lilybearing@lily-bearing.com</a>	
Part Number	<b>FJCEKFE</b> Linear Bearings		