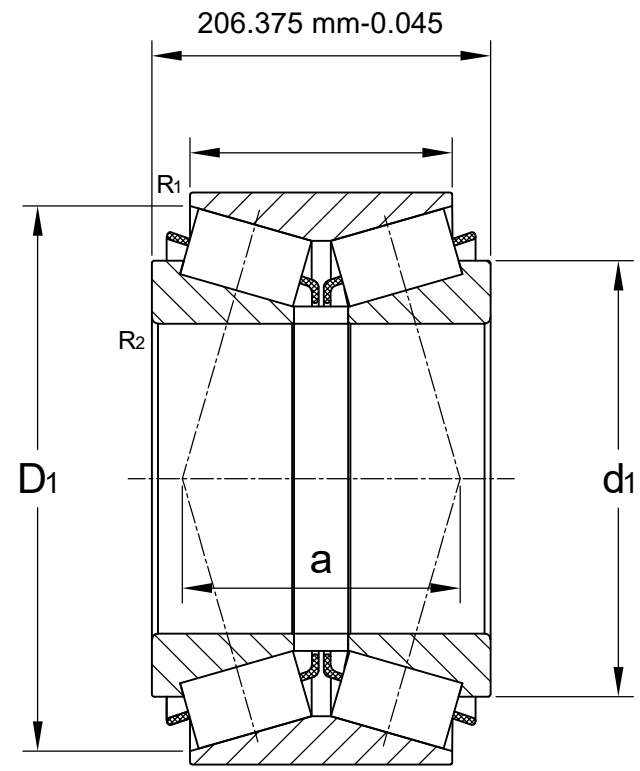
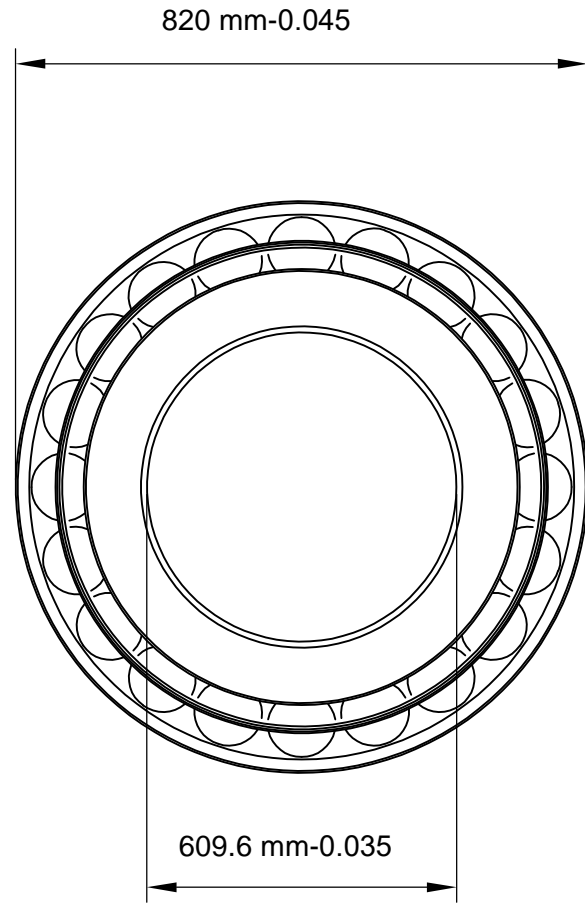
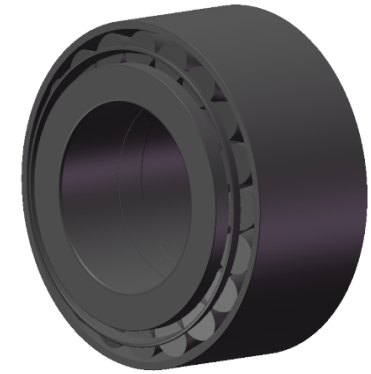


ϵ^m mm
310 $\frac{5}{1}mm$



LILY BEARING

- d1: 687 mm Dia Of Shaft Abutment
- a: 269 mm Distance Between Pressure Point
- R1: 1.5 mm Chamfer Dimension Of Outer Rin
- R2: 6.4 mm Chamfer Dimension Of Inner Ring

LILY [®]	SHANGHAI LILY BEARING LIMITED Email: lilybearing@lily-bearing.com	
	<table border="1" style="width: 100%;"> <tr> <td style="width: 20%; text-align: center;">Part Number</td> <td style="text-align: center;">331500 Double row tapered roller bearin</td> </tr> </table>	Part Number
Part Number	331500 Double row tapered roller bearin	