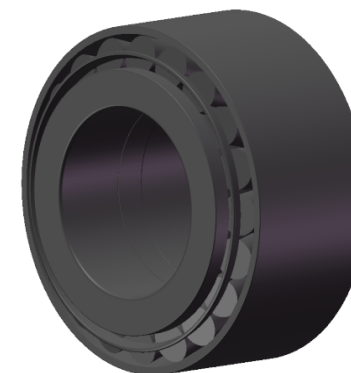


LILY BEARING



d1:	431	mm	Dia Of Shaft Abutment
a:	198	mm	Distance Between Pressure Point
R1:	1.5	mm	Chamfer Dimension Of Outer Ring
R2:	6.4	mm	Chamfer Dimension Of Inner Ring

**LILY**<sup>®</sup>

SHANGHAI LILY BEARING LIMITED

Email: [lilybearing@lily-bearing.com](mailto:lilybearing@lily-bearing.com)

Part  
Number

331606-A Double row tapered roller bearing