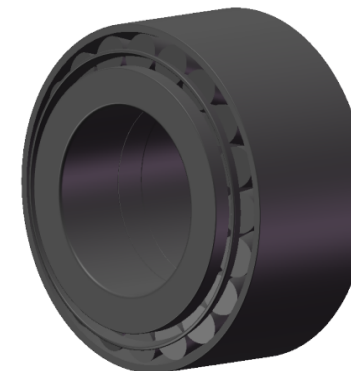


LILY BEARING



d1:	394	mm	Dia Of Shaft Abutment
a:	161	mm	Distance Between Pressure Point
R1:	1.0	mm	Chamfer Dimension Of Outer Ring
R2:	3.0	mm	Chamfer Dimension Of Inner Ring

**LILY**<sup>®</sup>

SHANGHAI LILY BEARING LIMITED

Email: [lilybearing@lily-bearing.com](mailto:lilybearing@lily-bearing.com)

Part  
Number

BT2B-332830 Double row tapered roller bearing